

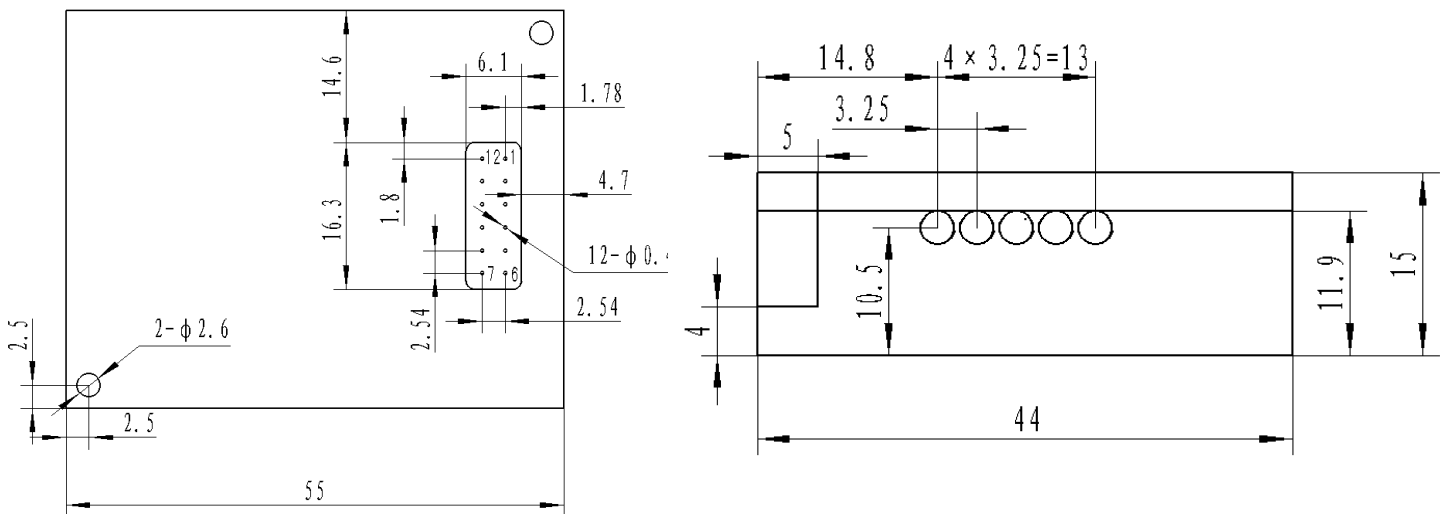
1x4 Mini Size Optical Switch

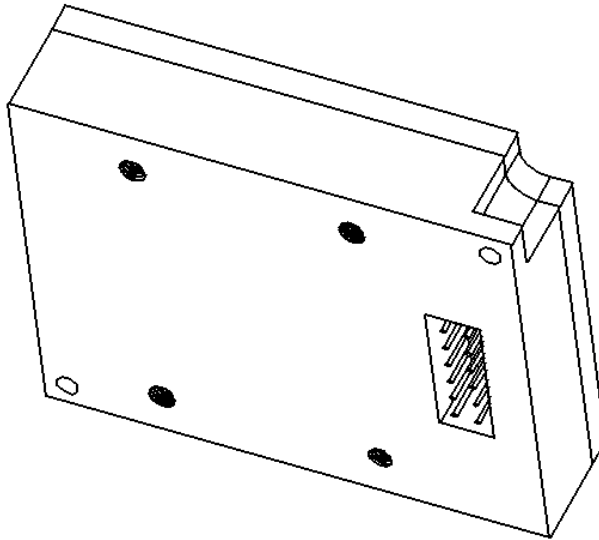
Features	
Based on Free space designed Low IL, Low PDL, Fast Switch speed	
Application	
OXC, OLP, ROADM Wavelength switch of testing system Channel switch of optic sensor system	

Specifications

Parameter	Value
Port Type	1x4
Wavelength (nm)	1310,1550
Insertion Loss (dB)	≤1.0
PDL (dB)	≤0.15
Repeatability (dB)	≤±0.05
Cross Talk (dB)	≥50
Switch Speed (ms)	<10
Return Loss (dB)	55
Operating Voltage (V)	5
Switch Current (mA)	120
Power handling (mW)	500
Durability (cycles)	>10 ⁷
Operating Temperature (°C)	-5~+65
Storage Temperature (°C)	-40 ~ 85
Fiber Type	SMF-28e
Dimension (LxMxH) (mm)	55x44x15

Package Dimension





Light Path		com-1	com -2	com -3	com -4	
Control Input	1B	Pin1	0V	+5V	+5V	+5V
	1A	Pin2	+5V	0V	0V	0V
	2B	Pin3	+5V	0V	+5V	+5V
	2A	Pin4	0V	+5V	0V	0V
	3B	Pin5	+5V	+5V	0V	+5V
	3A	Pin6	0V	0V	+5V	0V
Common Input	V+	Pin7	+5V	+5V	+5V	+5V
		Pin8	+5V	+5V	+5V	+5V
	GND	Pin9	0V	0V	0V	0V
Status Output	S3	Pin10	GND	GND	+5V	GND
	S2	Pin11	GND	+5V	GND	GND
	S1	Pin12	+5V	GND	GND	GND

Ordering Information

OSW	Type	Wavelength	Mode	Pigtail Type	Fiber Type	Length	Connector
	1x4 1x8	15=1550 13=1310 1315=1310/1550	L=Latching	250=250um bare fiber 900=900um loose tube 3000=3mm loose tube	1=SMF-28e	1= 1m	NE=None FA=FC/APC FC=FC/UPC SA=SC/APC SC=SC/UPC LC=LC/UPC XX=Other