

Optical Switch (1x2)

Features	
Low Insertion Loss High crosstalk Compact package	
Application	
OXC, OLP, ROADM Wavelength switch of testing system Channel switch of optic sensor system	

Specifications

Parameters	1×2
Wavelength (nm)	1310,1550,1310/1550
Insertion Loss (dB)	≤0.8
Return Loss (dB)	≥50
Crosstalk (dB)	≥55
PDL (dB)	≤0.05
WDL (dB)	≤0.25
TDL (dB)	≤0.25
Repeatability (dB)	≤±0.02
Power Supply (V)	5±0.5
Lifetime (times)	≥10 ⁷
Switch Time (ms)	≤8
Transmission (Mw)	≤500
Operating Operature (°C)	-5~+70
Storage Temperature (°C)	-40~+85
Dimension (mm)	27x12.6x8.0

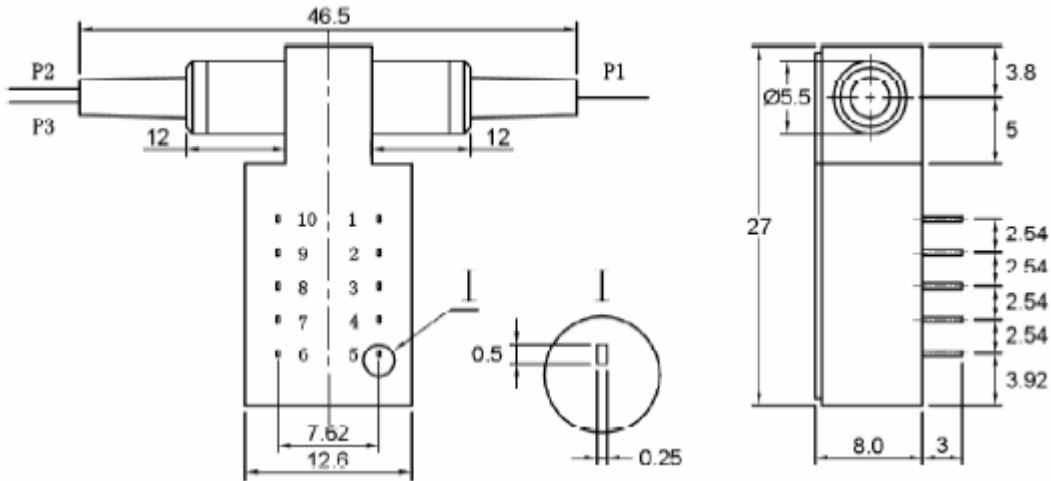
Electric

Specifications	Voltage	Current	Resistance
5V latching	4.5~5.5	36~44mA	125Ω
5V non-latching	4.5~5.5	26~32mA	175Ω

PINS

Type	Pin	Electric Drive				Status Sensor			
		1	5	6	10	2-3	3-4	7-8	8-9
1×2	Channel	1	5	6	10	2-3	3-4	7-8	8-9
	Latching	P1-P2	--	--	GND	V+	Close	Open	Open
Non-latching	P1-P3	V+	GND	--	--	Open	Close	Close	Open
	P1-P2	--	--	--	--	Close	Open	Open	Close
	P1-P3	V+	--	--	GND	Open	Close	Close	Open

Dimensions



Ordering Information

OSW	Type	Wavelength	Mode	Pigtail Type	Fiber Type	Length	Connector
	1x2	13=1310nm 15=1550nm 1315=1310/1550	L=Latching N=Non-Latching	250=250um bare fiber 900=900um loose tube	1=SMF-28e	1= 1m	NE=None FA=FC/APC FC=FC/UPC SA=SC/APC SC=SC/UPC LC=LC/UPC XX=Other